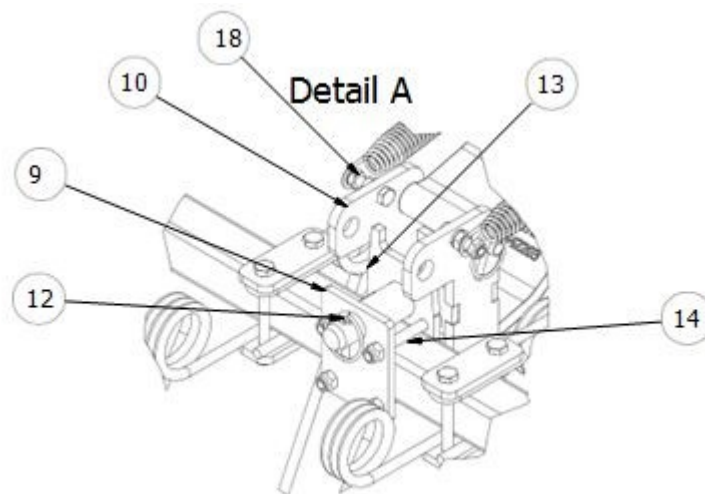


	<b>Part Number</b>	<b>Description</b>	<b>Number Used</b>
<b>1</b>	DH7001.000	10mm Harrow Finger (Lower)	As required
<b>1</b>	DH7001.100	12mm Harrow Finger (Lower)	As required
<b>2</b>	DH7002.000	Mounting Plate (2 Hole for 10mm Harrows)	As required
<b>3</b>	DH7003.000	Cast parallel Bar Upper Without Depth Bolt (each)	As required
<b>3</b>	DH7003.100	Cast parallel Bar Upper With Depth Bolt (each)	As required
<b>16</b>	DH7016.000	Duncan Mk3 fitting kit	Not shown
<b>5</b>	DH7005.000	Drawbar bracket	As required
	DH7005.100	Small Tye Harrow Bracket	Not shown
<b>6</b>	DH7006.000	3.0m Taege Tye Harrow Bar 50 x 50 RHS (1 side)	2
<b>6</b>	DH7006.100	3.6m Taege Tye Harrow Bar 50 x 50 RHS (1 side)	2
<b>6</b>	DH7006.200	4.0m Taege Tye Harrow Bar 50 x 50 RHS (1 side)	
<b>6</b>	DH7006.300	4.3m Taege Tye Harrow Bar 50x50 RHS	
<b>6</b>	DV7006.000	Vineyard Harrow Bar	
<b>7</b>	DH7007.000	10mm Harrow finger Upper	2
<b>7</b>	DH7007.100	12mm Harrow finger Upper	As required
<b>8</b>	DH7008.000	Plastic end cap	2





<b>A</b>	<b>DH7000.001</b>	<b>Hinge/Pivot Complete</b>	As required
<b>09</b>	DH7009.000	Female Pivot Plate	As required
<b>10</b>	DH7009.100	Male Pivot Bracket	
	DH7010.000	Female Pivot mounting bracket	As required
<b>11</b>	DH7011.000	Pin	2
<b>12</b>	3LPAG3	11x40 Lynch pin	1
<b>13</b>	1NNM10	M10 Nyloc nut	
<b>14</b>	1MHC10080G	M10x80 Galv bolt	4
<b>15</b>	DH7015.000	Harrows Complete Parallel Bar & Mount Assembly (1 side)	Includes 3,5,9,& 10
<b>17</b>	DH7017.000	Harrows Tension Spring	2
	DH7018.000	3.0m Taege Tyne Harrows Complete Set	
	DH7019.000	3.6m Taege Tyne Harrows Complete Set	
<b>18</b>	1MHC16120G	M16x120 Bolt galv	A/R
<b>18</b>	1NNM16	M16 Nyloc nut	A/R
<b>18</b>	1WS12G	M16 Spring washer galv	A/R

**Note**

The number of tines is dependent on the width of the harrow.

